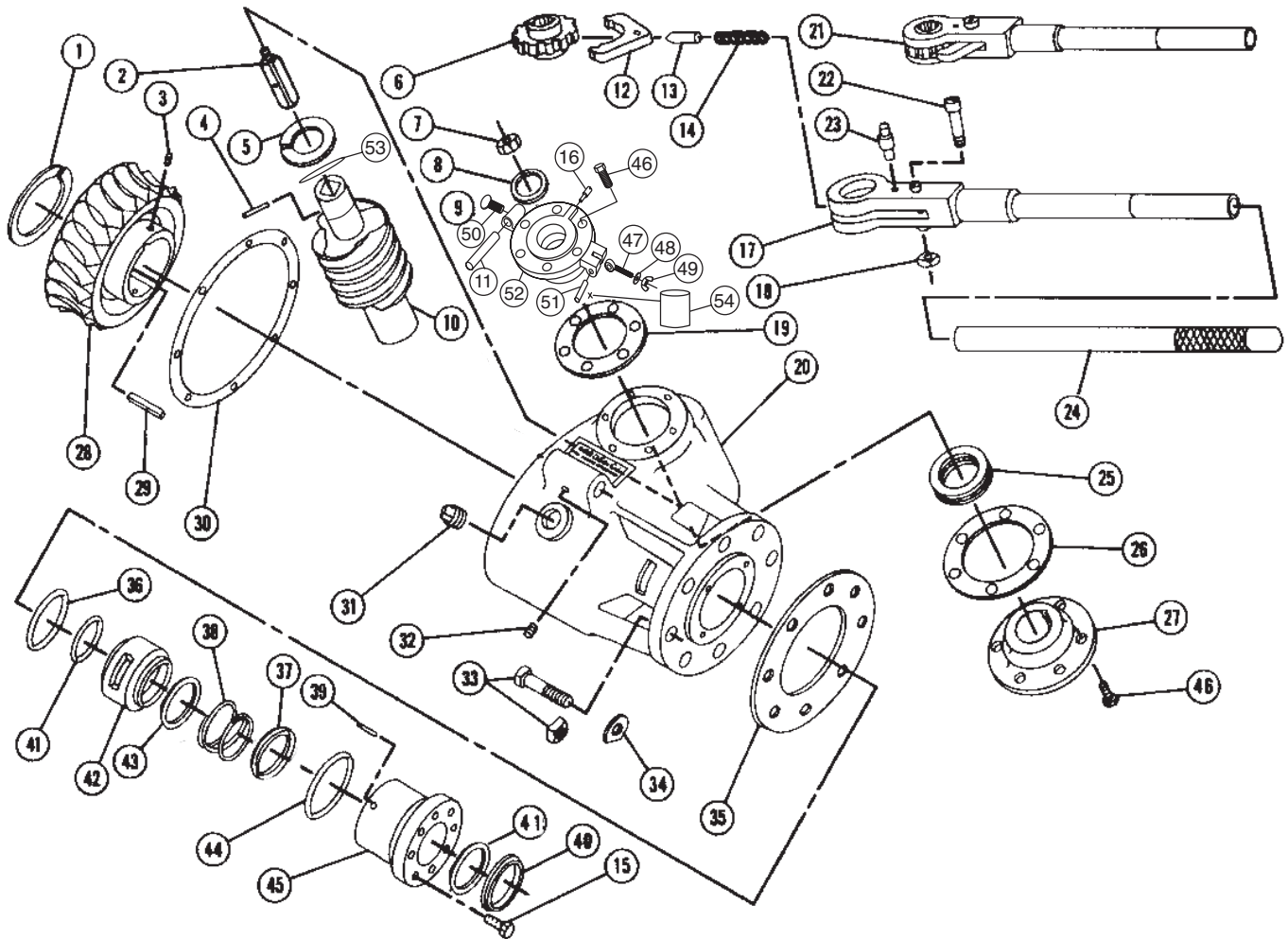


3.14



MUELLER® C1-36-99002 DRILLING MACHINE REPAIR PARTS

Rev. 8-04 Shaded area indicates change



NOTE: These illustrations are for parts identification only. DO NOT use these illustrations for assembly or disassembly of machine. MUELLER CO. offers a machine repair service. Contact MUELLER® Customer Service Center for details.

Item No.	Part Number	Part Name	Item No.	Part Number	Part Name	Item No.	Part Number	Part Name
1	54426	Thrust washer	17	80111	Handle	35	55449	Gasket
2	507160	Drive shaft	18	46255	Nut	36	508429	O-ring
3	90472	Set screw	19	55467	Top bearing gasket	37	44245	Convex follower
4	507162	Rollpin	20	526512	Drive box	38	98000	Spring
5	54472	Thrust washer	21	85308	Ratchet complete	39	47092	Rollpin (2)
6	40137	Ratchet wheel	22	40138	Bolt	40	501158	Wiper ring
7	94825	Nut	23	40139	Stud	41	508430	O-ring (2)
8	78827	O-ring	24	86391	Handle extension	42	508427	Spacer
9	580815	Top bearing complete (includes: 8, 11,16,46, 47, 48, 49, 50, 51, 52)	25	55541	Ball bearing	43	45115	Packing ring (4)
10	507161	Worm	26	55478	Bottom bearing gasket	44	52162	Gland seal o-ring
11	54488	Pivot	27	54443	Bottom bearing	45	501151	Packing gland
12	40004	Ratchet dog	28	55563	Worm gear	46	55098	Socket head cap screw (6)
13	40006	Spring pin	29	54467	Key	47	52389	Eyebolt
14	40007	Spring	30	55609	Gasket	48	54012	Washer
15	55098	Hex cap screw (4)	31	64134	Plug	49	94341	Wing Nut
16	72484	Latch	32	98957	Set screw	50	91665	Thumb Screw
			33	56682	Bolt and nut (8)	51	48131	Roll Pin
			34	55409	Washer (8)	52	502707	Bearing

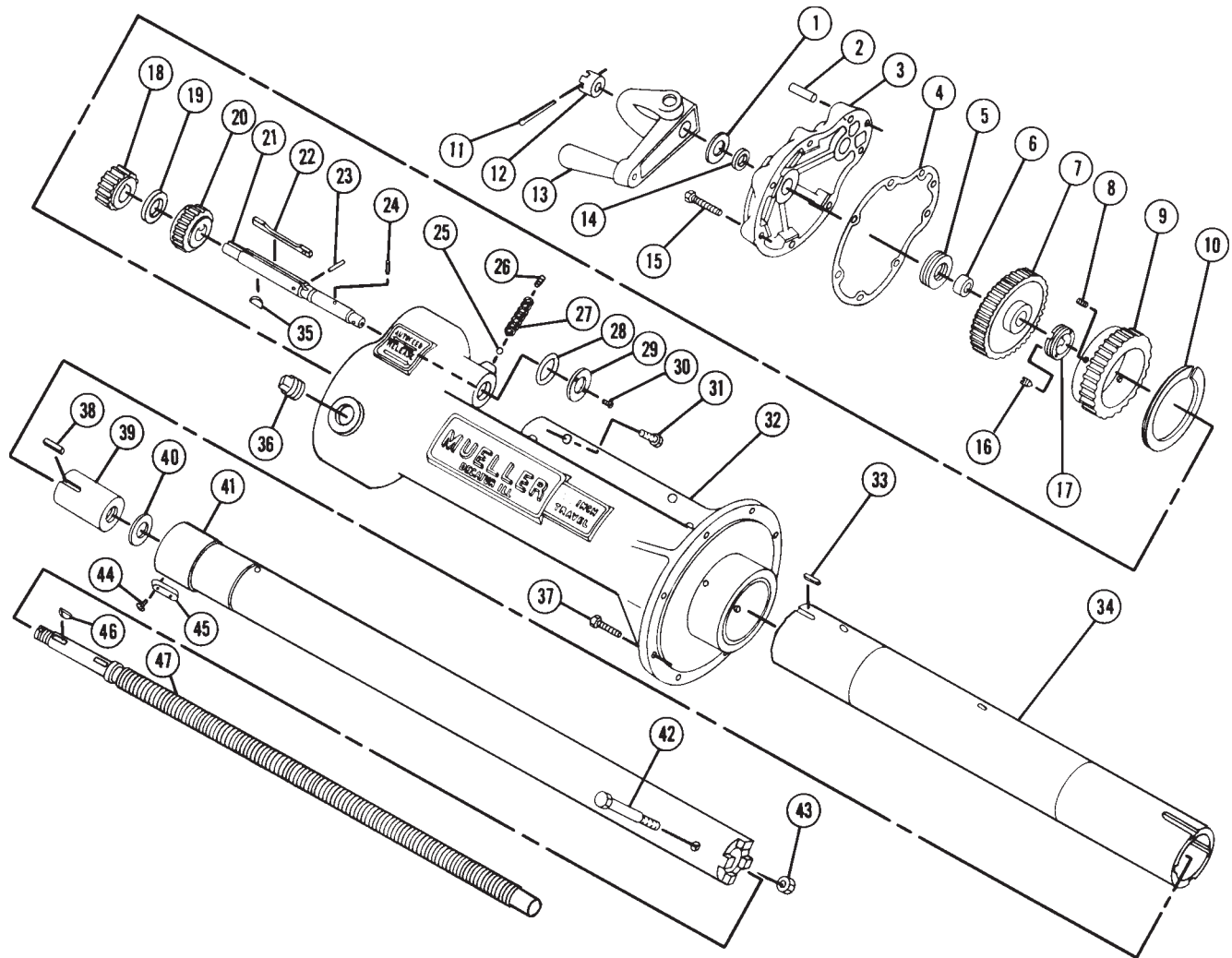
* Order both parts when replacing either one.

MUELLER® C1-36-99002 DRILLING MACHINE REPAIR PARTS

Mueller Co.

3.15

Rev. 4-01



NOTE: These illustrations are for parts identification only. DO NOT use these illustrations for assembly or disassembly of machine. MUELLER CO. offers a machine repair service. Contact MUELLER® Customer Service Center for details.

Item No.	Part Number	Part Name	Item No.	Part Number	Part Name	Item No.	Part Number	Part Name
1	508438	Thrust washer	17	54433	Lock nut	33	54466	Feed gear key
2	54545	Dowel pin	18	501074	Idler pinion	34	33923	Drive tube
3	508433	Rear cover	19	54471	Idler spacer	35	300190	Key
4	33080	Rear cover gasket	20	55432	Idler pinion driver	36	64134	Plug
5	55569	Thrust bearing	21	54470	Idler shaft	37	55098	Cap screw
6	54630	Bushing	22	54469	Drive key	38	54445	Feed nut keys (2)
7	55567	Feed screw gear	23	63477	Drive key pin	39	33404	Feed nut
8	98873	Set screws (2)	24	54538	Indicator drive pin	40	54418	Feed nut washer
9	55564	Drive tube feed gear	25	54702	Ball detent	41	88331	Boring bar assembly
10	54425	Feed gear thrust washer	26	99022	Set screw	42	311866	Bolt
11	98928	Cotter pin	27	55610	Detent spring	43	58849	Nut
12	55601	Feed screw nut	28	508434	Idler oil seal	44	52182	Screws (4)
13	88150	Crank & hoisting yoke	29	508435	Oil seal retainer	45	54482	Keys (2)
14	311332	Oil seal O-ring	30	95257	Screws (2)	46	98225	Keys (2)
15	504333	Screw	31	92375	Screws (4)	47	43964	Feed screw
16	98956	Set screws (2)	32	88481	Torque tube assembly (w/ bushings)		89346	Lubricant

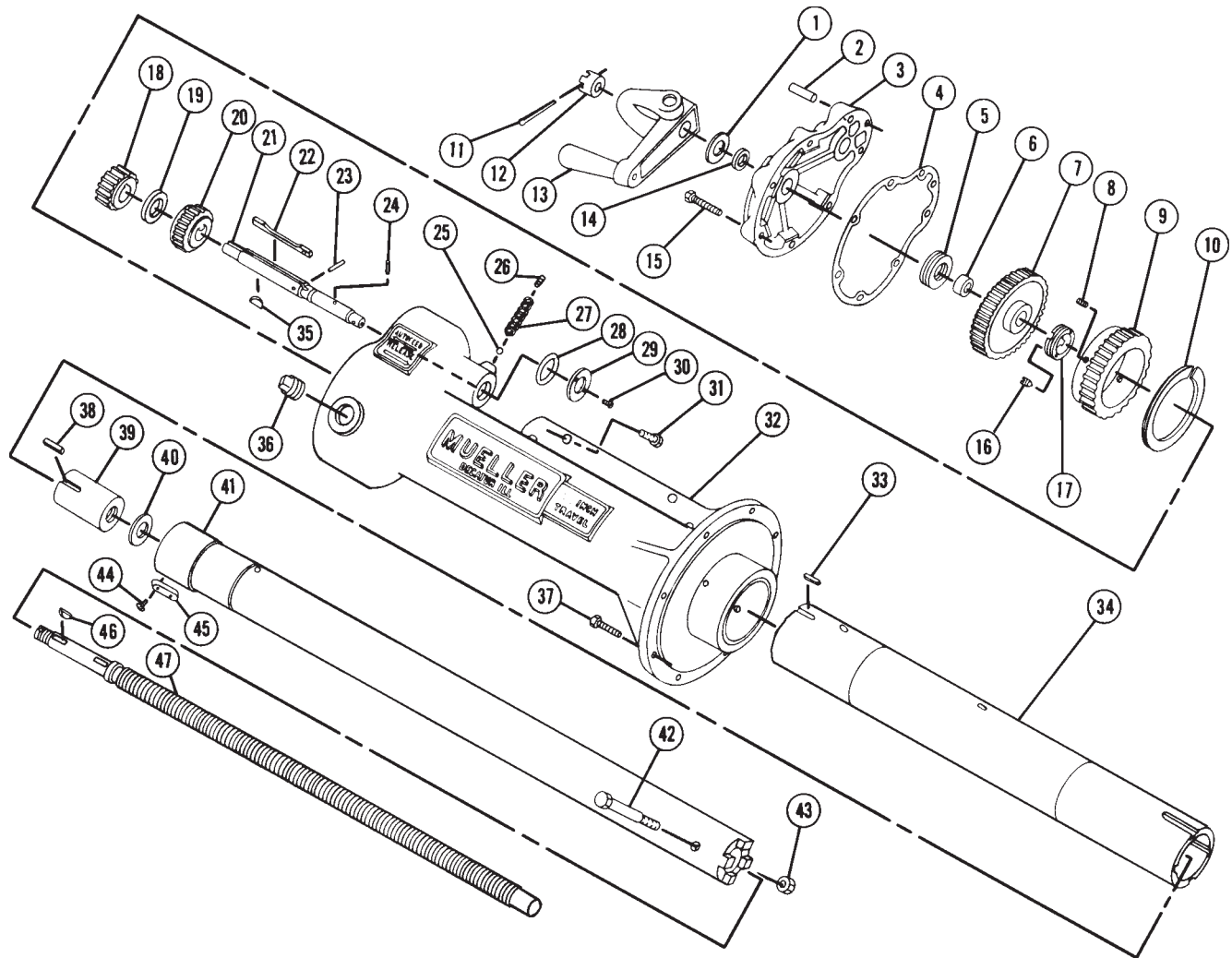
**TO ORDER SPECIFY QUANTITY, PART NUMBER AND PART NAME
(include catalog number and model number of machine).**

MUELLER® C1-36-99002 DRILLING MACHINE REPAIR PARTS

Mueller Co.

3.15

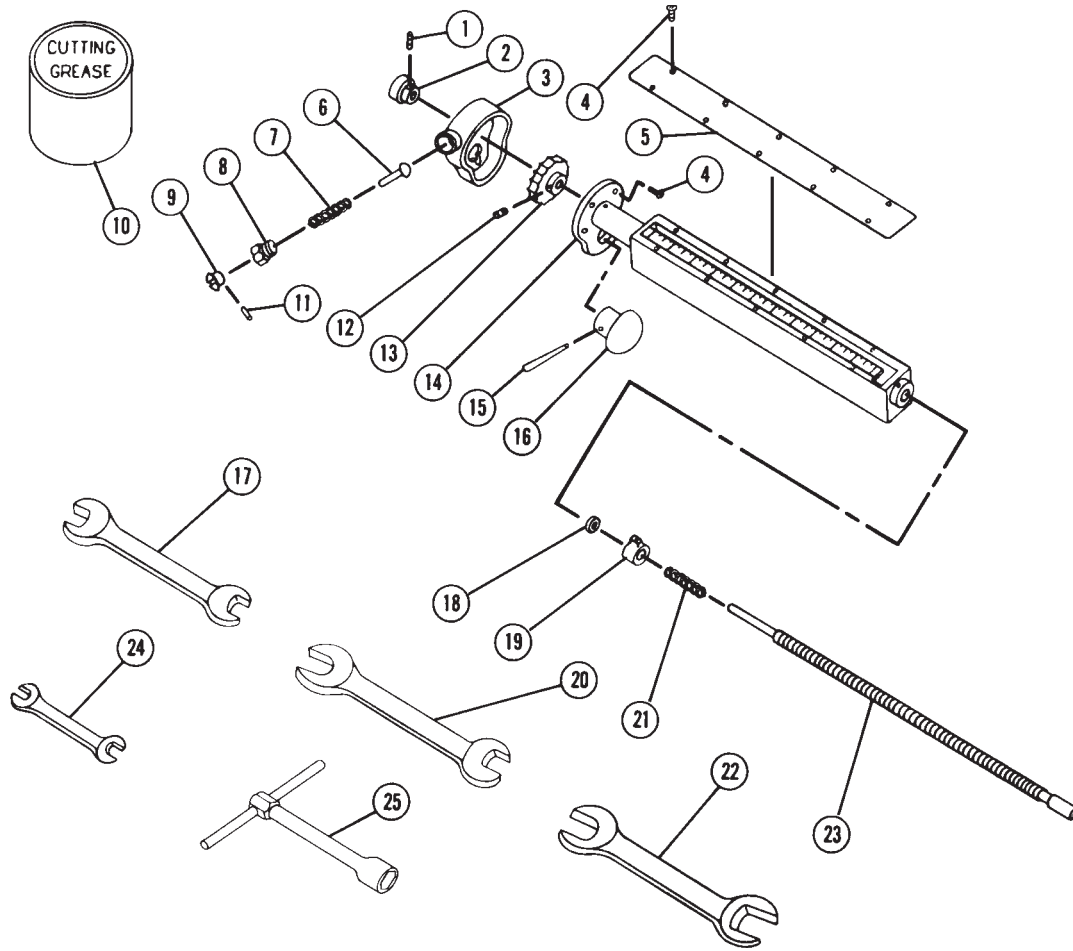
Rev. 4-01



NOTE: These illustrations are for parts identification only. DO NOT use these illustrations for assembly or disassembly of machine. MUELLER CO. offers a machine repair service. Contact MUELLER® Customer Service Center for details.

Item No.	Part Number	Part Name	Item No.	Part Number	Part Name	Item No.	Part Number	Part Name
1	508438	Thrust washer	17	54433	Lock nut	33	54466	Feed gear key
2	54545	Dowel pin	18	501074	Idler pinion	34	33923	Drive tube
3	508433	Rear cover	19	54471	Idler spacer	35	300190	Key
4	33080	Rear cover gasket	20	55432	Idler pinion driver	36	64134	Plug
5	55569	Thrust bearing	21	54470	Idler shaft	37	55098	Cap screw
6	54630	Bushing	22	54469	Drive key	38	54445	Feed nut keys (2)
7	55567	Feed screw gear	23	63477	Drive key pin	39	33404	Feed nut
8	98873	Set screws (2)	24	54538	Indicator drive pin	40	54418	Feed nut washer
9	55564	Drive tube feed gear	25	54702	Ball detent	41	88331	Boring bar assembly
10	54425	Feed gear thrust washer	26	99022	Set screw	42	311866	Bolt
11	98928	Cotter pin	27	55610	Detent spring	43	58849	Nut
12	55601	Feed screw nut	28	508434	Idler oil seal	44	52182	Screws (4)
13	88150	Crank & hoisting yoke	29	508435	Oil seal retainer	45	54482	Keys (2)
14	311332	Oil seal O-ring	30	95257	Screws (2)	46	98225	Keys (2)
15	504333	Screw	31	92375	Screws (4)	47	43964	Feed screw
16	98956	Set screws (2)	32	88481	Torque tube assembly (w/ bushings)		89346	Lubricant

**TO ORDER SPECIFY QUANTITY, PART NUMBER AND PART NAME
(include catalog number and model number of machine).**



NOTE: These illustrations are for parts identification only. DO NOT use these illustrations for assembly or disassembly of machine. MUELLER CO. offers a machine repair service. Contact MUELLER® Customer Service Center for details.

Item No.	Part Number	Part Name	Item No.	Part Number	Part Name	Item No.	Part Number	Part Name
1	99023	Knob set screw	10	88366	Cutting grease	19	501073	Indicator nut
2	54551	Indicator knob	11	56392	Pin	20	58196	Wrench
3	54446	Cover plate	12	97763	Wheel set screw	21	33083	Spring
4	37804	Screws (14)	13	54523	Wheel	22	55726	Wrench
5	33084	Indicator shield	14	54516	Indicator body	23	501077	Indicator screw
6	36361	Plunger	15	53747	Crank rollpin	24	96536	Wrench
7	36362	Spring	16	54454	Knob	25	59839	Socket wrench
8	36360	Body	17	56680	Wrench			
9	36359	Detent knob	18	54549	Thrust washer			

**TO ORDER SPECIFY QUANTITY, PART NUMBER AND PART NAME
(include catalog number and model number of machine).**